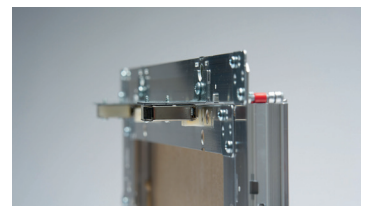
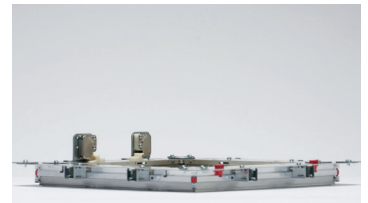
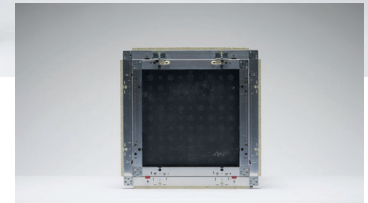




PLAN F&D FALT- UND DÄMMELEMENTE



## FD Ultra Design

Inspection flap with plasterboard insert 1 x 12,5 perforated gypsum

### POSSIBLE APPLICATIONS

Inspection flap with perforated gypsum insert for installation in a single-layer acoustic ceiling drywall construction (facing shells, wall and ceiling systems without building physics requirements).

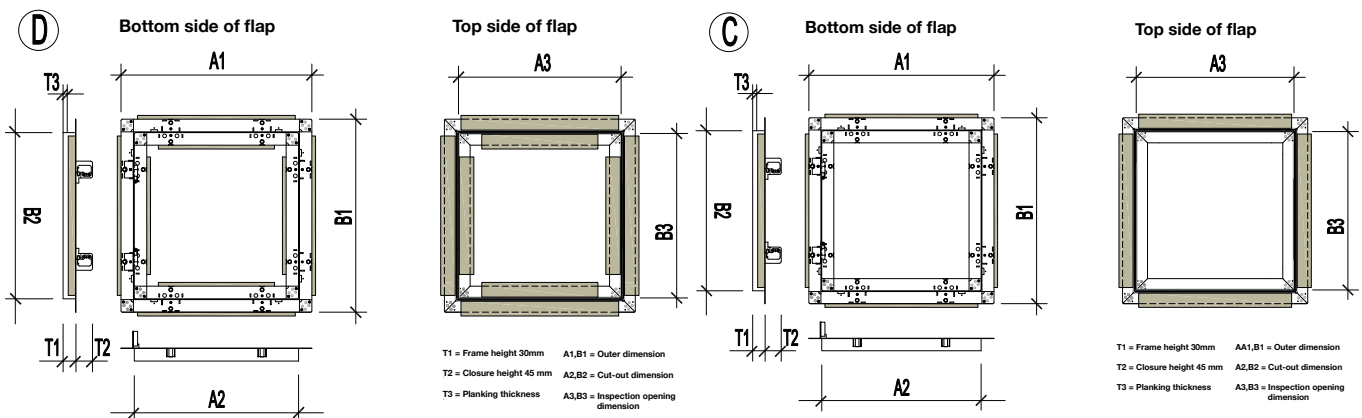
### PRODUCT ADVANTAGE

- Stable 4-component aluminium profile frame with a thickness of 1,25 mm
- Swing-out, completely removable 4-part inner cover
- Work in an assembly-friendly manner thanks to the uncomplicated and time saving installation (no drill tip screws required)
- We guarantee a clean, fast and easy installation
- There is no maintenance or post-processing needed
- Thanks to the concealed pressure locks you get a visually appealing finish
- Can be set up both during and after installation



## QUALITY

- The patented system ensures precise installation - efficient and functional
- Its construction guarantees a long service time
- The final assembly is stress free and clean
- Security by a patented drop safety guard
- Using only high quality materials
- Production „Made in Germany“ guarantees you high quality, sustainability and a long service life



## POSSIBLE VERSIONS

Articel number	Description	Outer dimension A1xB1 mm	Cut-out dimension A2xB2 mm	Inspection opening dimension A3xB3 mm	Planking thickness T3 mm	Weight g
6-300-618	Perforation 6-18 12.5 mm	375 x 375	322 x 322	305 x 305	12,5	2200
6-300-818	Perforation 8-18 12.5 mm	373 x 373	320 x 320	303 x 303	12,5	2100
6-300-1023	Perforation 10-23 12.5mm	387 x 387	334 x 334	317 x 317	12,5	2100
6-300-1225	Perforation 12-25 12.5 mm	388 x 388	335 x 335	318 x 318	12,5	2100
6-300-1530	Perforation15-30 12.5 mm	390 x 390	337 x 337	320 x 320	12,5	2100
6-300-81250	Perforation 8-12-50 12.5 mm	363 x 363	312 x 312	293 x 293	12,5	2100
6-300-122066	Perforation 12-20-66 12.5 mm	385 x 385	330 x 330	315 x 315	12,5	2100
6-300-818Q	Perforation 8-18 Q 12.5 mm	375 x 375	320 x 320	305 x 305	12,5	2100
6-300-1225Q	Perforation 12-25 Q 12.5 mm	392 x 392	335 x 335	322 x 322	12,5	2100
6-400-618	Perforation 6-18 12.5 mm	465 x 465	412 x 412	395 x 395	12,5	3200
6-400-818	Perforation 8-18 12.5 mm	463 x 363	410 x 410	393 x 393	12,5	3100
6-400-1023	Perforation 10-23 12.5mm	479 x 479	426 x 426	409 x 409	12,5	3100

Is the size you need not listed? You can request your individual model with exactly the dimensions and the insert you need. Not exactly sure what size do you need for your project?

We will be happy to assist you with any questions you may have! Contact our experts at 02363 5675219 or [info@plan-fd.de](mailto:info@plan-fd.de)!



## POSSIBLE VERSIONS

Articel number	Description	Outer dimension A1xB1 mm	Cut-out dimension A2xB2 mm	Inspection opening dimension A3xB3 mm	Planking thickness T3 mm	Weight g
6-400-1225	Perforation 12-25 12.5 mm	463 x 463	410 x 410	393 x 393	12,5	3000
6-400-1530	Perforation 15-30 12.5 mm	480 x 480	427 x 427	410 x 410	12,5	3000
6-400-81250	Perforation 8-12-50 12.5 mm	463 x 463	412 x 412	393 x 393	12,5	3100
6-400-122066	Perforation 12-20-66 12.5 mm	451 x 451	396 x 396	381 x 381	12,5	3000
6-400-818Q	Perforation 8-18 Q 12.5 mm	463 x 463	410 x 410	393 x 393	12,5	3100
6-400-1225Q	Perforation 12-25 Q 12.5 mm	463 x 463	410 x 410	393 x 393	12,5	3000
6-500-618	Perforation 6-18 12.5 mm	573 x 573	520 x 520	503 x 503	12,5	4400
6-500-818	Perforation 8-18 12.5 mm	571 x 571	518 x 518	501 x 501	12,5	4300
6-500-1023	Perforation 10-23 12.5mm	571 x 571	518 x 518	501 x 501	12,5	4300
6-500-1225	Perforation 12-25 12.5 mm	563 x 563	510 x 510	493 x 493	12,5	4200
6-500-1530	Perforation 15-30 12.5 mm	570 x 570	517 x 517	500 x 500	12,5	4200
6-500-81250	Perforation 8-12-50 12.5 mm	563 x 563	512 x 512	493 x 493	12,5	4200
6-500-122066	Perforation 12-20-66 12.5 mm	583 x 583	528 x 528	513 x 513	12,5	4200
6-500-818Q	Perforation 8-18 Q 12.5 mm	571 x 571	518 x 518	501 x 501	12,5	4400
6-500-1225Q	Perforation 12-25 Q 12.5 mm	563 x 563	510 x 510	493 x 493	12,5	4200
6-600-618	Perforation 6-18 12.5 mm	663 x 663	592 x 592	593 x 593	12,5	5900
6-600-818	Perforation 8-18 12.5 mm	679 x 679	590 x 590	609 x 609	12,5	5600
6-600-1023	Perforation 10-23 12.5mm	663 x 663	587 x 587	593 x 593	12,5	5600
6-600-1225	Perforation 12-25 12.5 mm	663 x 663	585 x 585	593 x 593	12,5	5500
6-600-1530	Perforation 15-30 12.5 mm	690 x 690	637 x 637	620 x 620	12,5	5500
6-600-81250	Perforation 8-12-50 12.5 mm	663 x 663	612 x 612	593 x 593	12,5	5700
6-600-122066	Perforation 12-20-66 12.5 mm	649 x 649	594 x 594	579 x 579	12,5	5500
6-600-818Q	Perforation 8-18 Q 12.5 mm	679 x 679	592 x 592	609 x 609	12,5	5600
6-600-1225Q	Perforation 12-25 Q 12.5 mm	663 x 663	585 x 585	593 x 593	12,5	5500
6-300-S	for on-site scatter perforation	370 x 370	315 x 315	300 x 300	12,5	1800
6-400-S	for on-site scatter perforation	470 x 470	415 x 415	400 x 400	12,5	2100
6-500-S	for on-site scatter perforation	570 x 570	515 x 515	500 x 500	12,5	2400
6-600-S	for on-site scatter perforation	670 x 670	615 x 615	600 x 600	12,5	2700

Is the size you need not listed? You can request your individual model with exactly the dimensions and the insert you need. Not exactly sure what size do you need for your project?

We will be happy to assist you with any questions you may have! Contact our experts at 02363 5675219 or [info@plan-fd.de](mailto:info@plan-fd.de)!

