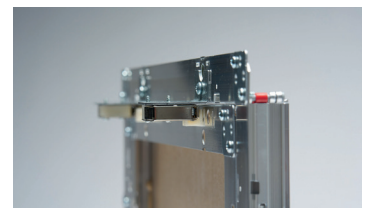
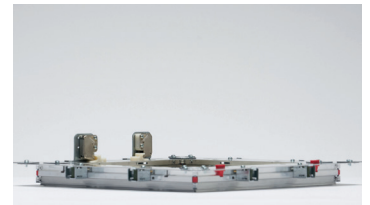
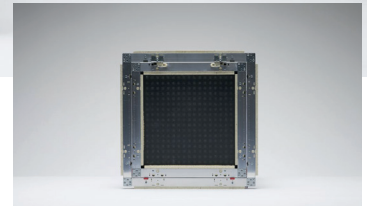
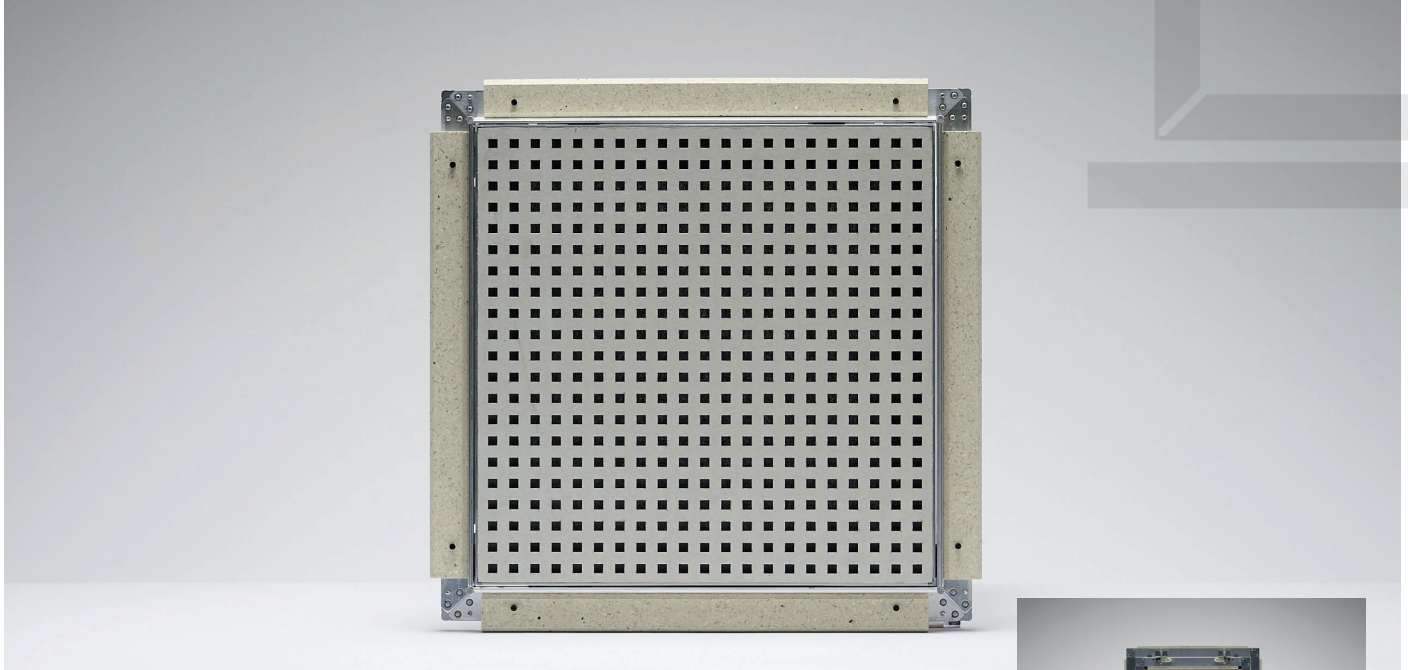




PLAN F&D FALT- UND DÄMMELEMENTE



FD Ultra Klima Design

Inspection flap with climatop ceiling insert 1 x 10/ 1 x 12,5 Thermoboard, Thermoboard Plus, Climafit – perforated

POSSIBLE APPLICATIONS

Inspection flap with single-layer acoustic climate control ceiling insert for installation in a 10 mm drywall construction (facing shells, wall and ceiling systems without building physics requirements). The revision elements are not thermally activated. The insert complies with DIN EN 520 A. If Thermoboard Plus or Climafit is required, the perforated gypsum board is glued in place with a graphite insert (10 mm).

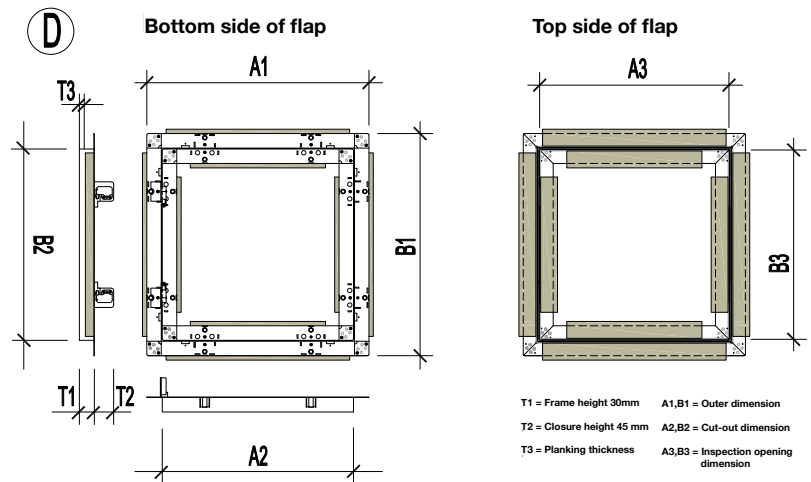
PRODUCT ADVANTAGE

- Stable 4-component aluminium profile frame with a thickness of 1,25 mm
- Swing-out, completely removable 4-part inner cover
- Work in an assembly-friendly manner thanks to the uncomplicated and time saving installation (no drill tip screws required)
- We guarantee a clean, fast and easy installation
- There is no maintenance or post-processing needed
- Thanks to the concealed pressure locks you get a visually appealing finish
- Can be set up both during and after installation



QUALITY

- The patented system ensures precise installation – efficient and functional
- Its construction guarantees a long service time
- The final assembly is stress free and clean
- Security by a patented drop safety guard
- Using only high quality materials
- Production „Made in Germany“ guarantees you high quality, sustainability and a long service life



POSSIBLE VERSIONS

Articel number	Inlay	Outer dimension A1xB1 mm	Cut-out dimension A2xB2 mm	Inspection opening dimension A3xB3 mm	Planking thickness T3 mm	Weight g
9-300-10-GK-818	GKB 8/18 perforated	373 x 373	320 x 320	303 x 303	10	1846
9-300-10-TBP-818	Thermoboard Plus 8/18 perforated	373 x 373	320 x 320	303 x 303	10	1946
9-300-10-CF-818	Climafit 8/18 perforated	373 x 373	320 x 320	303 x 303	10	1946
9-300-10-GK-1225	GKB 12/25 perforated	388 x 388	335 x 335	318 x 318	10	1846
9-300-10-TBP-1225	Thermoboard Plus 12/ 25 perforated	388 x 388	335 x 335	318 x 318	10	1946
9-300-10-CF-1225	Climafit 12/25 perforated	388 x 388	335 x 335	318 x 318	10	1946
9-400-10-GK-818	GKB 8/18 perforated	463 x 463	410 x 410	393 x 393	10	2575
9-400-10-TBP-818	Thermoboard Plus 8/18 perforated	463 x 463	410 x 410	393 x 393	10	2675
9-400-10-CF-818	Climafit 8/18 perforated	463 x 463	410 x 410	393 x 393	10	2675
9-400-10-GK-1225	GKB 12/25 perforated	463 x 463	410 x 410	393 x 393	10	2575
9-400-10-TBP-1225	Thermoboard Plus 12/ 25 perforated	463 x 463	410 x 410	393 x 393	10	2675
9-400-10-CF-1225	Climafit 12/25 perforated	463 x 463	410 x 410	393 x 393	10	2675
9-500-10-GK-818	GKB 8/18 perforated	571 x 571	518 x 518	501 x 501	10	3625
9-500-10-TBP-818	Thermoboard Plus 8/18 perforated	571 x 571	518 x 518	501 x 501	10	3525
9-500-10-CF-818	Climafit 8/18 perforated	571 x 571	518 x 518	501 x 501	10	3525
9-500-10-GK-1225	GKB 12/25 perforated	563 x 563	510 x 510	493 x 493	10	3625
9-500-10-TBP-1225	Thermoboard Plus 12/ 25 perforated	563 x 563	510 x 510	493 x 493	10	3525
9-500-10-CF-1225	Climafit 12/25 perforated	563 x 563	510 x 510	493 x 493	10	3625
9-600-10-GK818	GKB 8/18 perforated	679 x 679	590 x 590	609 x 609	10	4925
9-600-10-TBP-818	Thermoboard Plus 8/18 perforated	679 x 679	590 x 590	609 x 609	10	5025
9-600-10-CF-818	Climafit 8/18 perforated	679 x 679	590 x 590	609 x 609	10	5025
9-600-10-GK-1225	GKB 12/25 perforated	663 x 663	585 x 585	593 x 593	10	4925
9-600-10-TBP-1225	Thermoboard Plus 12/ 25 perforated	663 x 663	585 x 585	593 x 593	10	5025
9-600-10-CF-1225	Climafit 12/25 perforated	663 x 663	585 x 585	593 x 593	10	5025

TBP – Thermoboard Plus; CF – Climafit

Is the size you need not listed? You can request your individual model with exactly the dimensions and the insert you need. Not exactly sure what size do you need for your project?

We will be happy to assist you with any questions you may have! Contact our experts at 02363 5675219 or info@plan-fd.de!

