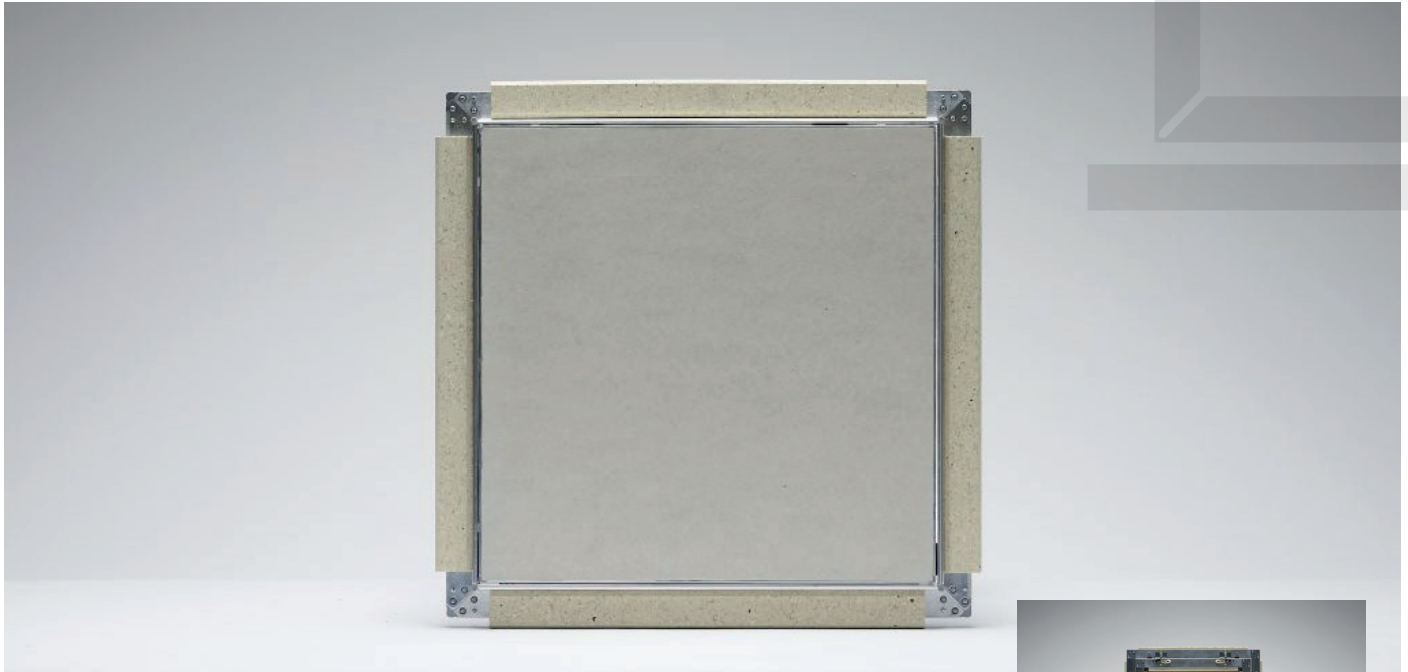




PLAN F&D FALT- UND DÄMMELEMENTE



FD Ultra Klima

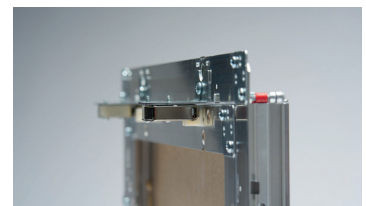
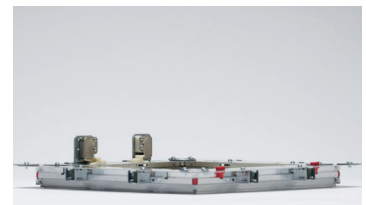
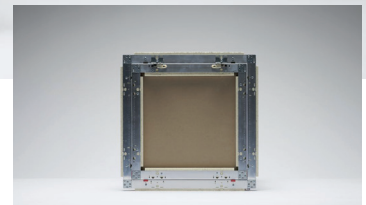
Inspection flap with insert 1 x 12,5 Climatop/ 1 x 10 thermoboard ceiling

POSSIBLE APPLICATIONS

Inspection flap with single-layer climate control ceiling insert for installation in a 10 mm drywall construction (facing shells, wall and ceiling systems without building physics requirements). The revision elements are not thermally activated. The insert complies with DIN EN 520 A.

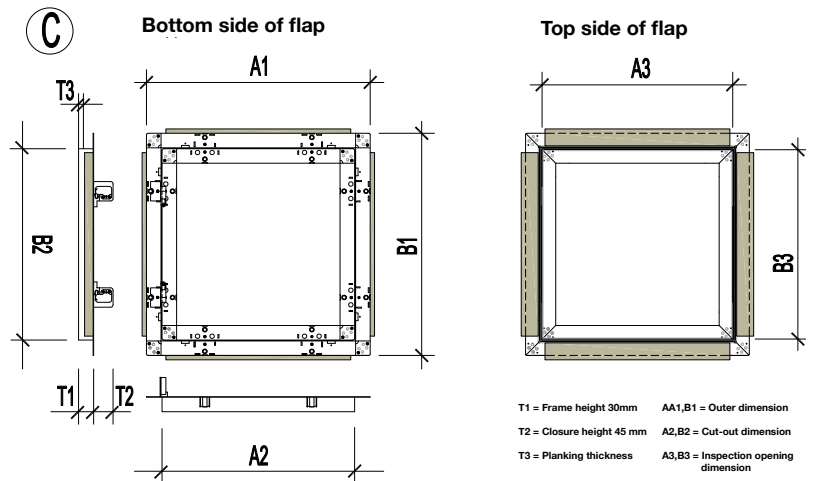
PRODUCT ADVANTAGE

- Stable 4-component aluminium profile frame with a thickness of 1,25 mm
- Swing-out, completely removable 4-part inner cover
- Work in an assembly-friendly manner thanks to the uncomplicated and time saving installation (no drill tip screws required)
- We guarantee a clean, fast and easy installation
- There is no maintenance or post-processing needed
- Thanks to the concealed pressure locks you get a visually appealing finish
- Can be set up both during and after installation



QUALITY

- The patented system ensures precise installation – efficient and functional
- Its construction guarantees a long service time
- The final assembly is stress free and clean
- Security by a patented drop safety guard
- Using only high quality materials
- Production „Made in Germany“ guarantees you high quality, sustainability and a long service life



POSSIBLE VERSIONS

| Article number | Outer dimension A1xB1 mm | Cut-out dimension A2xB2 mm | Inspection opening dimension A3xB3 mm | Planking thickness T3 mm | Weight g |
|----------------|-----------------------------|-------------------------------|--|-----------------------------|-------------|
| 8-300-10-GKB | 300 x 300 | 315 x 315 | 300 x 300 | 10 | 1835 |
| 8-400-10-GKB | 400 x 400 | 415 x 415 | 400 x 400 | 10 | 2746 |
| 8-500-10-GKB | 500 x 500 | 515 x 515 | 500 x 500 | 10 | 3975 |
| 8-600-10-GKB | 600 x 600 | 615 x 615 | 600 x 600 | 10 | 5325 |

GKB - plasterboard

Is the size you need not listed? You can request your individual model with exactly the dimensions and the insert you need. Not exactly sure what size do you need for your project?

We will be happy to assist you with any questions you may have! Contact our experts at 02363 5675219 or info@plan-fd.de!

