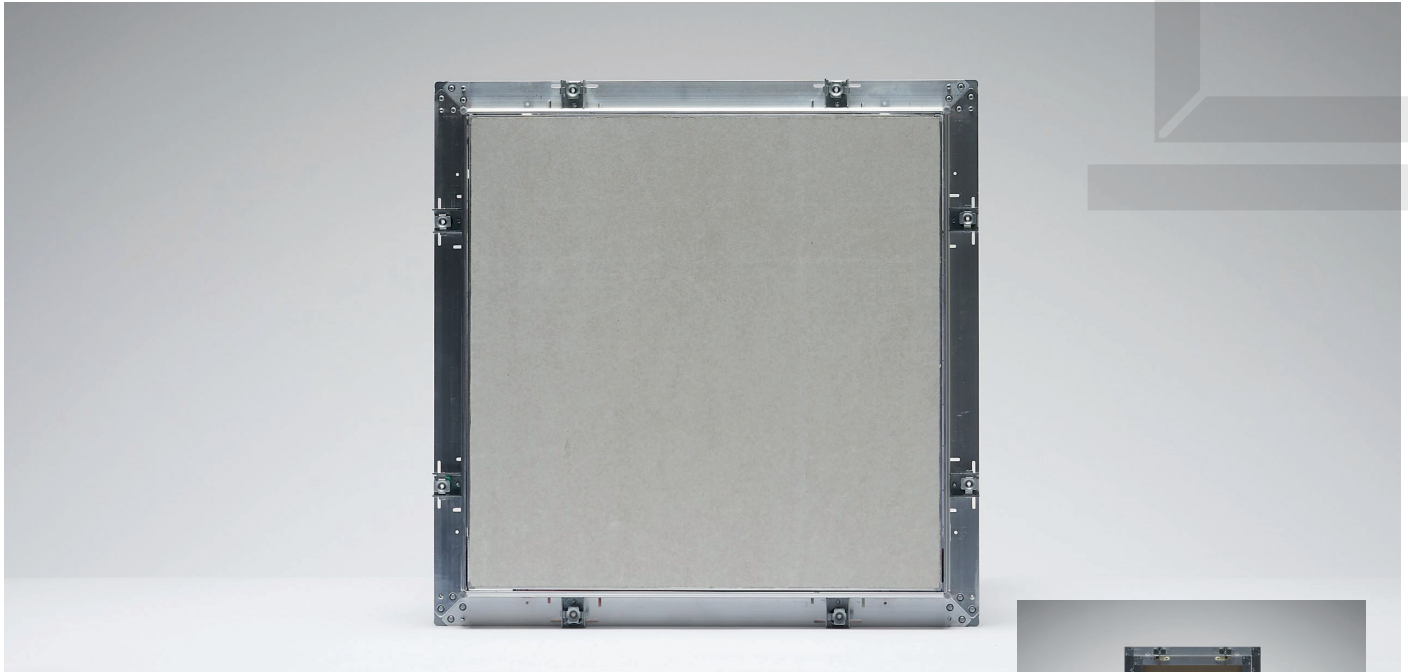




PLAN F&D FALT- UND DÄMMELEMENTE



FD Ultra Single

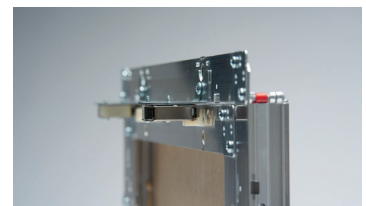
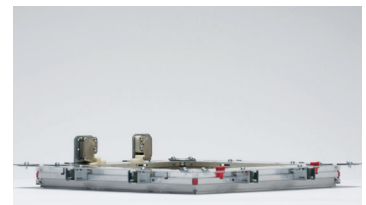
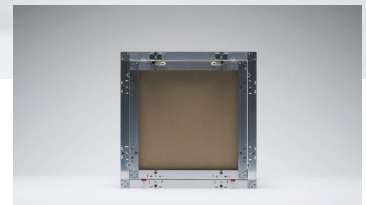
Inspection flap with plasterboard insert 1 x 12,5 flat

POSSIBLE APPLICATIONS

Inspection flap with plasterboard insert for installation in a single-layer drywall construction (facing shells, wall and ceiling systems without building physics requirements).

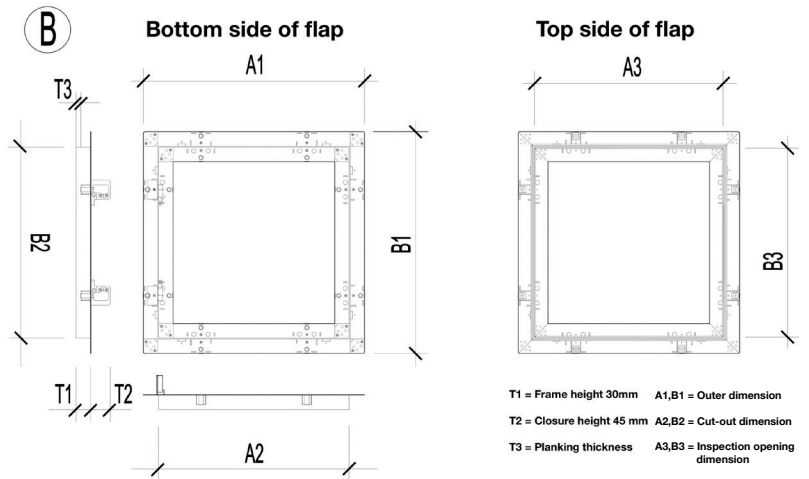
PRODUCT ADVANTAGE

- Stable 4-component aluminium profile frame with a thickness of 1,25 mm
- Swing-out, completely removable 4-part inner cover
- Work in an assembly-friendly manner thanks to the uncomplicated and time saving installation (no drill tip screws required)
- We guarantee a clean, fast and easy installation
- There is no maintenance or post-processing needed
- Thanks to the concealed pressure locks you get a visually appealing finish
- Can be set up both during and after installation



QUALITY

- The patented system ensures precise installation - efficient and functional
- Its construction guarantees a long service time
- The final assembly is stress free and clean
- Security by a patented drop safety guard
- Using only high quality materials
- Production „Made in Germany“ guarantees you high quality, sustainability and a long service life



POSSIBLE VERSIONS

Article number	Outer dimension A1xB1 mm	Cut-out dimension A2xB2 mm	Inspection opening dimension A3xB3 mm	Planking thickness T3 mm	Weight g
1-200-12.5-GK	260 x 260	215 x 215	200 x 200	12,5	1035
1-300-12.5-GK	360 x 360	315 x 315	300 x 300	12,5	1635
1-400-12.5-GK	460 x 460	415 x 415	400 x 400	12,5	2446
1-500-12.5-GK	560 x 560	515 x 515	500 x 500	12,5	3475
1-600-12.5-GK	660 x 660	615 x 615	600 x 600	12,5	4525

Is the size you need not listed? You can request your individual model with exactly the dimensions and the insert you need. Not exactly sure what size do you need for your project?

We will be happy to assist you with any questions you may have! Contact our experts at 02363 5675219 or info@plan-fd.de!

