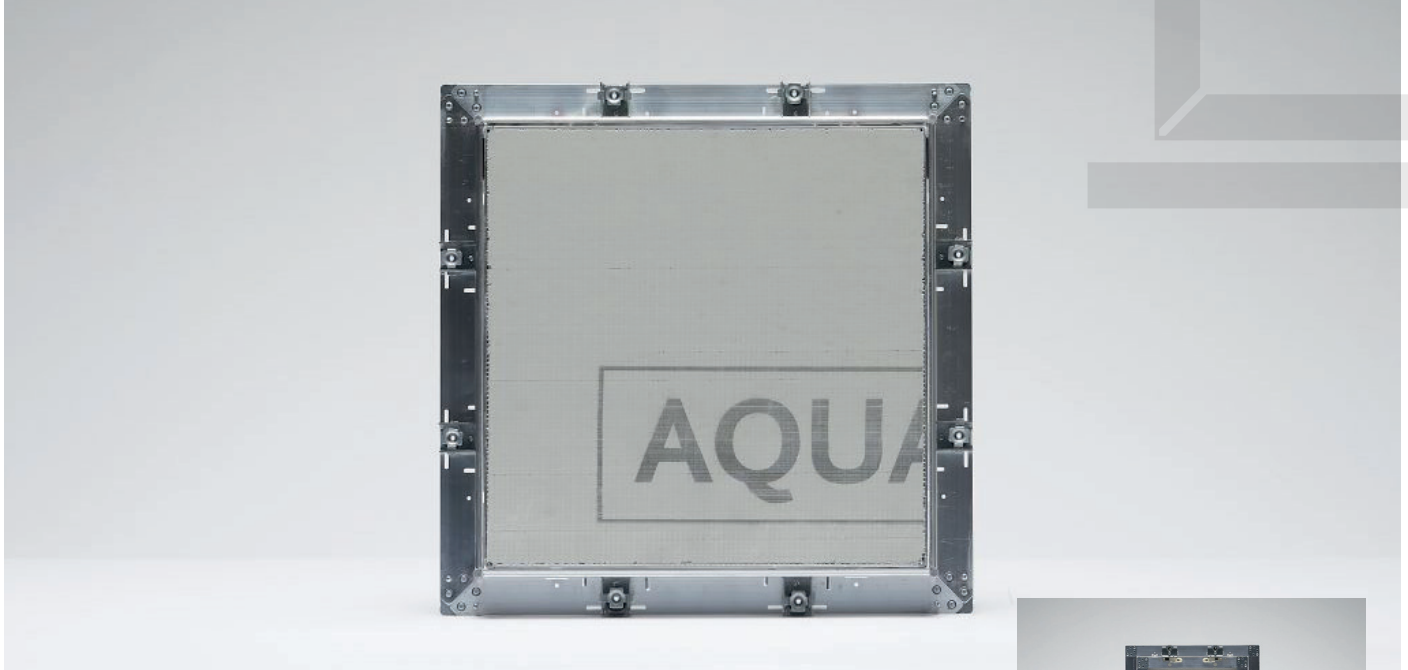




PLAN F&D FALT- UND DÄMMELEMENTE



FD Ultra Variant

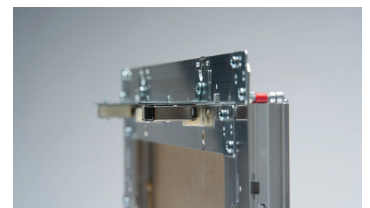
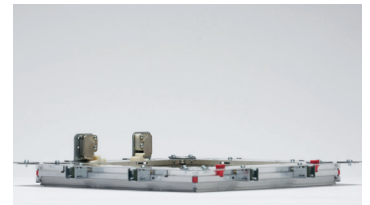
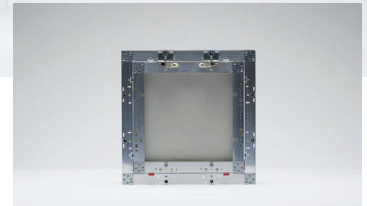
Inspection flap with special panel insert Aquapanel, Glasrock, La Hydra or similar

POSSIBLE APPLICATIONS

Inspection flap with single-layer special panel insert for installation in a drywall construction (facing shells, wall and ceiling systems without building physics requirements).

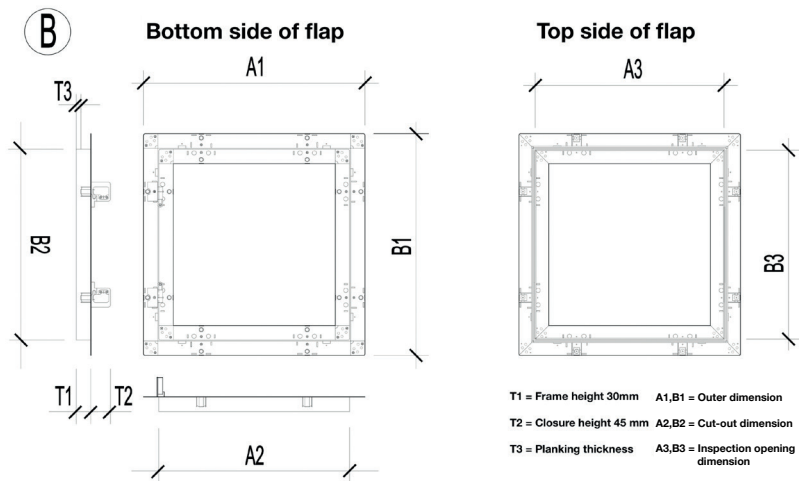
PRODUCT ADVANTAGE

- Stable 4-component aluminium profile frame with a thickness of 1,25 mm
- Swing-out, completely removable 4-part inner cover
- Work in an assembly-friendly manner thanks to the uncomplicated and time saving installation (no drill tip screws required)
- We guarantee a clean, fast and easy installation
- There is no maintenance or post-processing needed
- Thanks to the concealed pressure locks you get a visually appealing finish
- Can be set up both during and after installation



QUALITY

- The patented system ensures precise installation - efficient and functional
- Its construction guarantees a long service time
- The final assembly is stress free and clean
- Security by a patented drop safety guard
- Using only high quality materials
- Production „Made in Germany“ guarantees you high quality, sustainability and a long service life



POSSIBLE VERSIONS

Article number	Outer dimension A1xB1 mm	Cut-out dimension A2xB2 mm	Inspection opening dimension A3xB3 mm	Planking thickness T3 mm	Weight g
7-300-8-SKY	300 x 300	315 x 315	300 x 300	8	2035
7-300-12,5-API	300 x 300	315 x 315	300 x 300	12,5	1835
7-300-12,5-GX	300 x 300	315 x 315	300 x 300	12,5	1735
7-300-12,5-HYD	300 x 300	315 x 315	300 x 300	12,5	1835
7-400-8-SKY	400 x 400	415 x 415	400 x 400	8	3046
7-400-12,5-API	400 x 400	415 x 415	400 x 400	12,5	2746
7-400-12,5-GX	400 x 400	415 x 415	400 x 400	12,5	2646
7-400-12,5-HYD	400 x 400	415 x 415	400 x 400	12,5	2746
7-500-8-SKY	500 x 500	515 x 515	500 x 500	8	4375
7-500-12,5-API	500 x 500	515 x 515	500 x 500	12,5	3975
7-500-12,5-GX	500 x 500	515 x 515	500 x 500	12,5	3675
7-500-12,5-HYD	500 x 500	515 x 515	500 x 500	12,5	3875
7-600-8-SKY	600 x 600	615 x 615	600 x 600	8	5825
7-600-12,5-API	600 x 600	615 x 615	600 x 600	12,5	5325
7-600-12,5-GX	600 x 600	615 x 615	600 x 600	12,5	5025
7-600-12,5-HYD	600 x 600	615 x 615	600 x 600	12,5	5325

Sky – Aquapanel Skylite, API – Aquapanel Indoor, GX – Rigips Glasrock, HYD – Siniat La Hydra

Is the size you need not listed? You can request your individual model with exactly the dimensions and the insert you need. Not exactly sure what size do you need for your project?

We will be happy to assist you with any questions you may have! Contact our experts at 02363 5675219 or info@plan-fd.de!

