



PLAN F&D FALT- UND DÄMMELEMENTE



FD Ultra Wood

Inspection flap with wood wool insert Cewood HWL 1,0 mm – 25 mm,
color natural

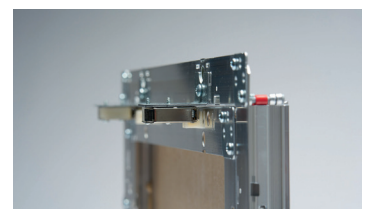
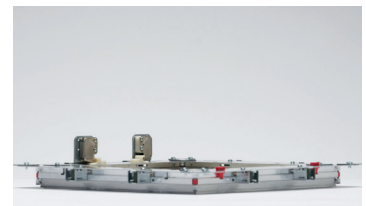
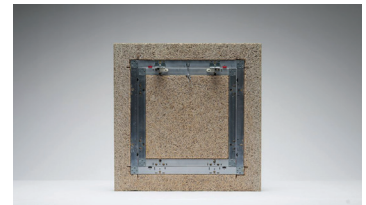
POSSIBLE APPLICATIONS

Inspection flap with wood wool insert for installation in a drywall construction (facing shells, wall and ceiling systems without building physics requirements).

Note: When planning your wood wool ceiling, we recommend that you include and order the material for the inspection flaps directly in order to obtain an uniformly consistent quality.

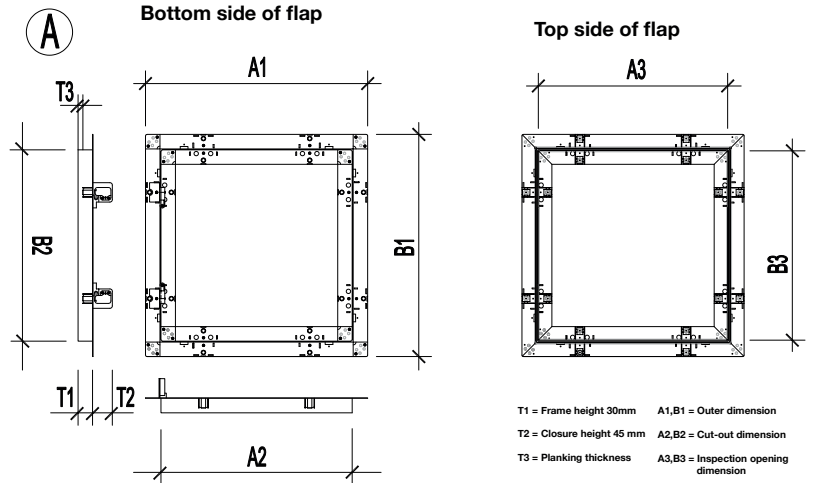
PRODUCT ADVANTAGE

- Stable 4-component aluminium profile frame with a thickness of 1,25 mm
- Swing-out, completely removable 4-part inner cover
- Work in an assembly-friendly manner thanks to the uncomplicated and time saving installation (no drill tip screws required)
- We guarantee a clean, fast and easy installation
- There is no maintenance or post-processing needed
- Thanks to the concealed pressure locks you get a visually appealing finish
- Can be set up both during and after installation



QUALITY

- The patented system ensures precise installation - efficient and functional
- Its construction guarantees a long service time
- The final assembly is stress free and clean
- Security by a patented drop safety guard
- Using only high quality materials
- Production „Made in Germany“ guarantees you high quality, sustainability and a long service life



POSSIBLE VERSIONS

Article number	Outer dimension A1xB1 mm	Cut-out dimension A2xB2 mm	Inspection opening dimension A3xB3 mm	Planking thickness T3 mm	Weight g
10-300-WOOD-GE-25	600 x 600	600 x 600	300 x 300	25	4625
10-400-WOOD-GE-25	600 x 600	600 x 600	400 x 400	25	4825
10-500-WOOD-GE-25	600 x 600	600 x 600	500 x 500	25	5025
10-300-WOOD-E-25	300 x 300	306 x 306	300 x 300	25	1746
10-400-WOOD-E-25	400 x 400	406 x 406	400 x 400	25	2575
10-500-WOOD-E-25	500 x 500	506 x 506	500 x 500	25	3725
10-300-WOOD-OE-25	300 x 300	306 x 306	300 x 300	25	746
10-400-WOOD-OE-25	400 x 400	406 x 406	400 x 400	25	875
10-500-WOOD-OE-25	500 x 500	506 x 506	500 x 500	25	1025
10-600-WOOD-GF-25	600 x 600	600 x 600	600 x 600	25	5125
10-600/ 1200-WOOD-GF-25	600 x 1200	600 x 1200	600 x 1200	25	10200
10-400-WOOD-BS25	400 x 400		400 x 400	25	5325
10-400-WOOD-BS35	400 x 400		400 x 400	35	7246

GE – whole wood wool panel with built-in inspection element;
 E – inspection element with wood wool insert;
 OE – inspection element without insert prepared for 25 mm insert;
 GF – rebated for installation in grid system;
 BS – ball-proof version

Is the size you need not listed? You can request your individual model with exactly the dimensions and the insert you need. Not exactly sure what size do you need for your project?

We will be happy to assist you with any questions you may have! Contact our experts at 02363 5675219 or info@plan-fd.de!

